

"Fluid Under Control"

TORK[®]
valve & automation
high quality

control valves &
automation systems



PULSE VALVES

Summary Catalogue

for air, dust bag filters,
bunkers, electrostatic
painting cabin

TSEK



Loyd



TS EN264 UKSEPRO

Normally Closed

GENERAL FEATURES

- **TORK series PL1010 pulse valves are 2/2 way normally closed.**
- **Suitable for air**
- **G 3/4" and G 1" connection**
- **The pulse valves are especially designed for dust collector service application or similar systems**
- Compact design, high reliability, flow rate, quality and performance; long life .
- Extremely fast opening and closing
- Working Temperature:-10°C / +80°C
- **Minimum operating differential pressure is 0,5 bar**
- On request; it is supplied with electronic timer
- TORK pulse valves satisfy relevant 97/23/EC, Pressure Equipment Directive (PED) and 2006/95/EEC Low Voltage Directive (LVD).
- Some applications; dust filters, bunkers, dust extractors, electrostatic painting cabinets
- Coils are interchangeable
- Flow factor Kv of each valve is indicated, so that the flow Q can be calculated as a function of pressure
- Pulse valves must be used with filtered fluid types
- Pulse valve can be mounted in any position without affecting operation; vertical with coil upwards preferred.
- Standard pipe connection is G (BSP) (ISO 228-1) and on request; other pipe connections are available (NPT (ANSI 1.20.3))



ELECTRICAL CHARACTERISTICS

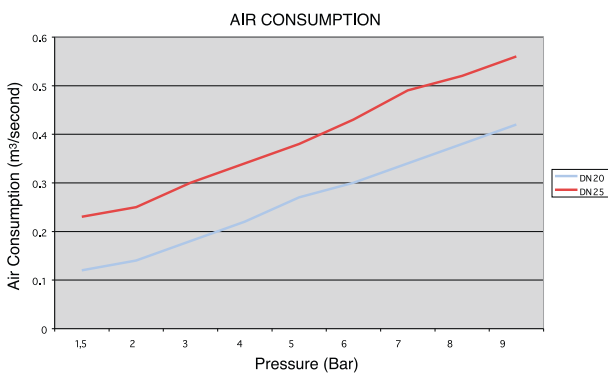
Continuous Duty	: ED %100
Coil Insulation Class	: H (180°C)
Coil Impregnation	: Polyester Fiber Glass
Coil Encapsulation Material	: Fiber Glass Reinforced
Ambient Temperature	: from -10°C; +60°C
Protection Degree	: IP 65 (EN 60529) with coil duly fitted with the plug connector
Electric plug Connection	: DIN 46340 3-poles connectors (DIN 43650)
Connector Specification	: ISO 4400 / EN 175301-803, Form A, Spade plug (Cable Ø 6-8 mm)
Electrical Safety	: IEC 335
Standard Voltages	: For AC 12V, 24V, 48V, 110V, 230V For DC 12V, 24V, 48V, 110 V

Other voltages on request;
Voltage Tolerances : For AC -15%; +10%, For DC -5%; +10%
Frequency : 50 Hz, other frequencies on request; (60 Hz)
On request; connector with LED
Specify coil voltage with order

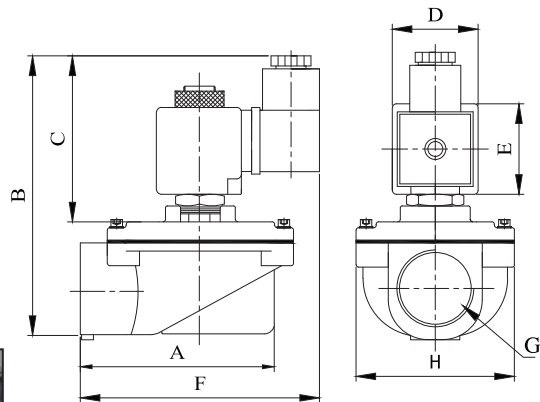
MATERIALS IN CONTACT WITH FLUIDS

Body	: Aluminium	Response Time	: Opening Time:100 ms, Closing Time :100 ms
Internal Parts	: Stainless Steel		
Sealing	: Neoprene		
Shading Ring	: Copper		
Seats	: Aluminium		
Core Tube	: Stainless Steel		
Springs	: Stainless Steel		

Air consumption example of G1" Pulse Valves;
Pressure: 6 bar; 50 cycles/hour
Air consumption for G1" at 6 bars is read from the table as 0,43 m³/s.
In case the pulse valve opens for 0,1 second, air consumption at one pulse is 0,43 x 0,1 : 0,043 m³
For 50 cycles/hour, the total air consumption is 0,043 x 50 : 2,15 m³/h



application, TORK pulse valve



Dimensions (mm)

	G	A	B	C	D	E	F	H
3/4"	73.5	128.5	75	32	39	75	74.3	
1"	73.5	128.5	75	32	39	75	74.3	

Valve Type / Order no	Connection Size	Orifice size	Pressure		KV	Fluid Temperature		Seal	Weight
			min	max		min	°C max		
PL1010	G	mm	bar	bar	lt/min	min	°C max		(kg)
PL1010.04	3/4"	25	0.5	8	150	-10	80	NEOPRENE	0.69
PL1010.05	1"	25	0.5	8	270	-10	80	NEOPRENE	0.68

Useful Informations

1 bar:14,5 PSI:10 mH₂O:10 N/cm²:1 kg/cm²:100000 Pa, 1 PSI:69 mbar,1 m³/h:4,405 GPM:16,7 L/d 1 Gallon / minute:0,227 m³/h, 0°C:89,6 F

GENERAL FEATURES

- TORK series PL1010 pulse valves are 2/2 way normally closed .
- Suitable for air
- G 1 1/2", G 2", G 21/2" and G 3" connection
- The pulse valves are especially designed for dust collector service application or similar systems
- Compact design, high reliability, flow rate, quality and performance; long life .
- Extremely fast opening and closing
- Working Temperature: -10°C / +80°C
- **Minimum operating differential pressure is 0,5 bar**
- On request; it is supplied with electronic timer
- TORK pulse valves satisfy relevant 97/23/EC, Pressure Equipment Directive (PED) and 2006/95/EEC Low Voltage Directive (LVD).
- Some applications; dust filters, bunkers, dust extractors, electrostatic painting cabinets
- Coils are interchangeable
- Flow factor Kv of each valve is indicated, so that the flow Q can be calculated as a function of pressure
- Pulse valves must be used with filtered fluid types
- Pulse valve can be mounted in any position without affecting operation; vertical with coil upwards preferred.
- Standard pipe connection is G (BSP) (ISO 228-1) and on request; other pipe connections are available (NPT (ANSI 1.20.3))

Normally Closed



application, TORK Pulse Valves

ELECTRICAL CHARACTERISTICS

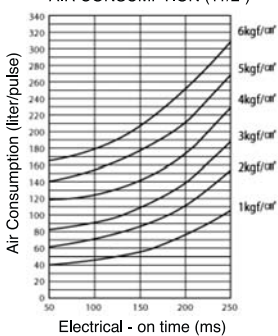
- Continuous Duty : ED %100
- Coil Insulation Class : H (180°C)
- Coil Impregnation : Polyester Fiber Glass
- Coil Encapsulation Material : Fiber Glass Reinforced
- Ambient Temperature : from -10°C; +60°C
- Protection Degree : IP 65 (EN 60529) with coil duly fitted with the plug connector
- Electric plug Connection : DIN 46340 3-poles connectors (DIN 43650)
- Connector Specification : ISO 4400 / EN 175301-803, Form A, Spade plug (Cable Ø 6-8 mm)
- Electrical Safety : IEC 335
- Standard Voltages : For AC 12V, 24V, 48V, 110V, 230V
For DC 12V, 24V, 48V, 110V

- Other voltages on request;
- Voltage Tolerances : For AC -15%; +10%, For DC -5%; +10%
- Frequency : 50 Hz, other frequencies on request; (60 Hz)
- On request; connector with LED
- Specify coil voltage with order

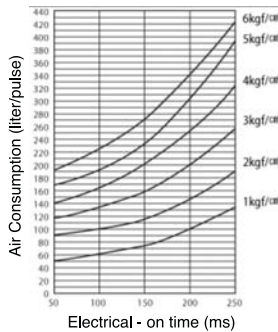
MATERIALS IN CONTACT WITH FLUIDS

- Body : Die Cast Aluminium
- Internal Parts : Stainless Steel
- Sealing : NBR and NEOPRENE
- Shading Ring : Copper
- Seats : Aluminium
- Core Tube : Stainless Steel
- Springs : Stainless Steel
- Response Time : Opening Time : 100 ms, Closing Time : 100 ms

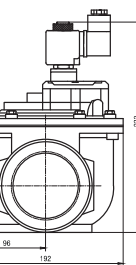
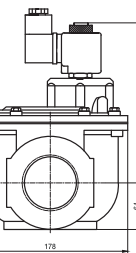
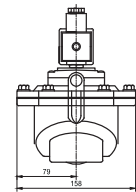
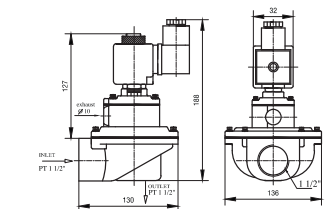
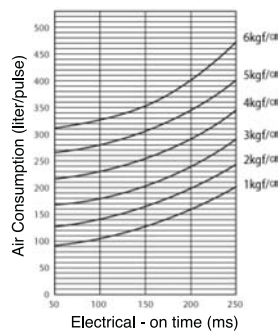
AIR CONSUMPTION (11/2")



AIR CONSUMPTION (2")



AIR CONSUMPTION (21/2")



Valve Type / Order no	Connection Size	Orifice size	Pressure		KV	Fluid Temperature		Seal	Weight
			min	max		min	max		
PL1010	G	mm	bar	bar	lt/min	°C			(kg)
PL1010.07	11/2"	40	0.5	8	774	-10	80	NEOPRENE	1.40
PL1010.08	2"	50	0.5	9.8	1065	-10	80	NBR	2.25
PL1010.09	21/2"	65	0.5	9.8	1378	-10	80	NBR	3.47
PL1010.10	3"	80	0.5	9.8	2040	-10	80	NBR	3.8

Useful Informations

1 bar:14,5 PSI:10 mH₂O:10 N/cm²:1 kg/cm²:100000 Pa, 1 PSI:69 mbar,1 m³/h:4,405 GPM:16,7 L/d 1 Gallon / minute:0,227 m³/h, 0°C:89,6 F

GENERAL FEATURES

- TORK series PL1020 remote control pulse valves are 2/2 way normally closed.
- Suitable for air
- G 3/4" and G 1" connection
- Without coil compact design, high reliability, flow rate, quality and performance; long life.
- The pulse valves are especially designed for dust collector service application or similar systems
- Extremely fast opening and closing
- Working Temperature: -10°C / +80°C
- Minimum operating differential pressure is 0,5 bar
- On request; it is supplied with electronic timer
- Ambient Temperature: from -10°C; +60°C
- TORK pulse valves satisfy relevant 97/23/EC, Pressure Equipment Directive (PED) and 2006/95/EEC Low Voltage Directive (LVD).
- Some applications; dust filters, bunkers, dust extractors, electrostatic painting cabinets
- Coils are interchangeable
- Flow factor Kv of each valve is indicated, so that the flow Q can be calculated as a function of pressure
- Pulse valves must be used with filtered fluid types
- Pulse valve can be mounted in any position without affecting operation; vertical with coil upwards preferred. Standard pipe connection is G (BSP) (ISO 228-1) and on request; other pipe connections are available (NPT (ANSI 1.20.3))

Normally Closed



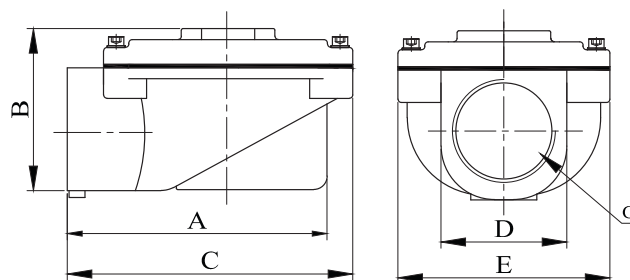
MATERIALS IN CONTACT WITH FLUIDS

Body : Aluminium Response Time : Opening Time:100 ms,
Internal Parts : Stainless Steel Closing Time :100 ms
Sealing : Neoprene
Shading Ring : Copper
Seats : Aluminium
Core Tube : Stainless Steel
Springs : Stainless Steel



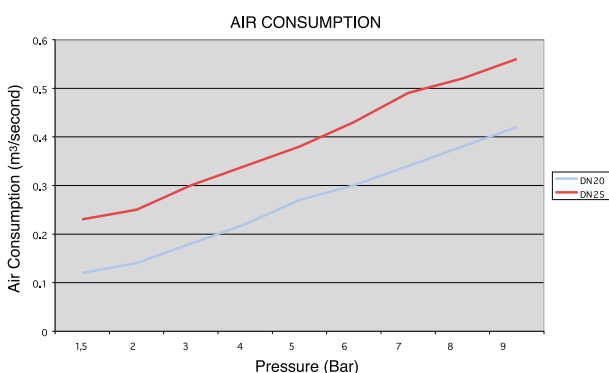
application, TORK Pulse Valves

Air consumption example of G1" Pulse Valves;
Pressure: 6 bar; 50 cycles/hour
Air consumption for G1" at 6 bars is read from the table as 0,43 m³/s.
In case the pulse valve opens for 0,1 second, air consumption at one pulse is 0,43 x 0,1 : 0,043 m³
For 50 cycles/hour, the total air consumption is 0,043 x 50 : 2,15 m³/h



Dimensions (mm)

G	A	B	C	D	E
3/4"	73,5	58,5	90	42,8	75
1"	73,5	58,5	90	42,8	75



Valve Type / Order no	Connection Size	Orifice size	Pressure		KV	Fluid Temperature		Seal	Weight
			min	max		min	max		
PL1020	G	mm	bar	bar	lt/min	min	max		(kg)
PL 1020 . 04	3/4"	20	0.5	8	150	-10	80	NEOPRENE	0.44
PL 1020 . 05	1"	25	0.5	8	270	-10	80	NEOPRENE	0.43

Useful Informations

1 bar:14,5 PSI:10 mH₂O:10 N/cm²:1 kg/cm²:100000 Pa, 1 PSI:69 mbar,1 m³/h:4,405 GPM:16,7 L/d 1 Gallon / minute:0,227 m³/h, 0°C:89,6 F

GENERAL FEATURES

- TORK series PL1020 remote control pulse valves are 2/2 way normally closed.
- Suitable for air
- G 1 1/2", G 2", G 2 1/2" and G 3" connection
- Without coil compact design, high reliability, flow rate, quality and performance; long life.
- The pulse valves are especially designed for dust collector service application or similar systems
- Extremely fast opening and closing
- Working Temperature: -10°C / +80°C
- Minimum operating differential pressure is 0.5 bar
- On request; it is supplied with electronic timer
- Ambient Temperature: from -10°C; +60°C
- Some applications; dust filters, bunkers, dust extractors, electrostatic painting cabinets
- Coils are interchangeable
- Flow factor Kv of each valve is indicated, so that the flow Q can be calculated as a function of pressure
- Pulse valves must be used with filtered fluids.
- Pulse valve can be mounted in any position without affecting operation; vertical with coil upwards preferred.
- Standard pipe connection is G (BSP) (ISO 228-1) and on request; other pipe connections are available (NPT (ANSI 1.20.3))

Normally Closed



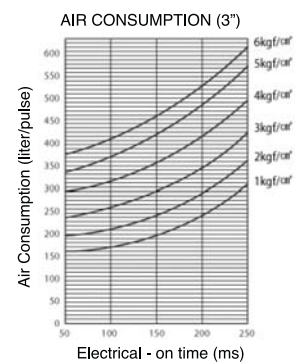
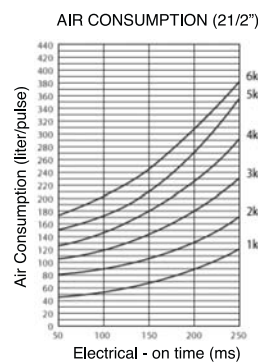
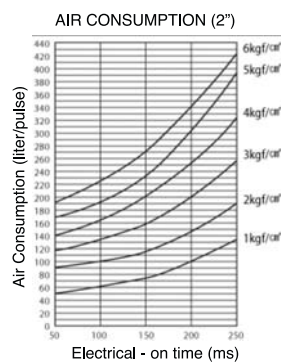
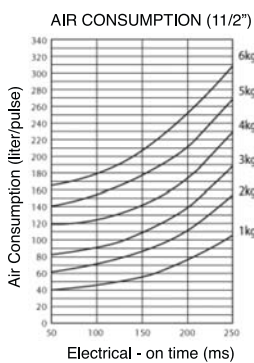
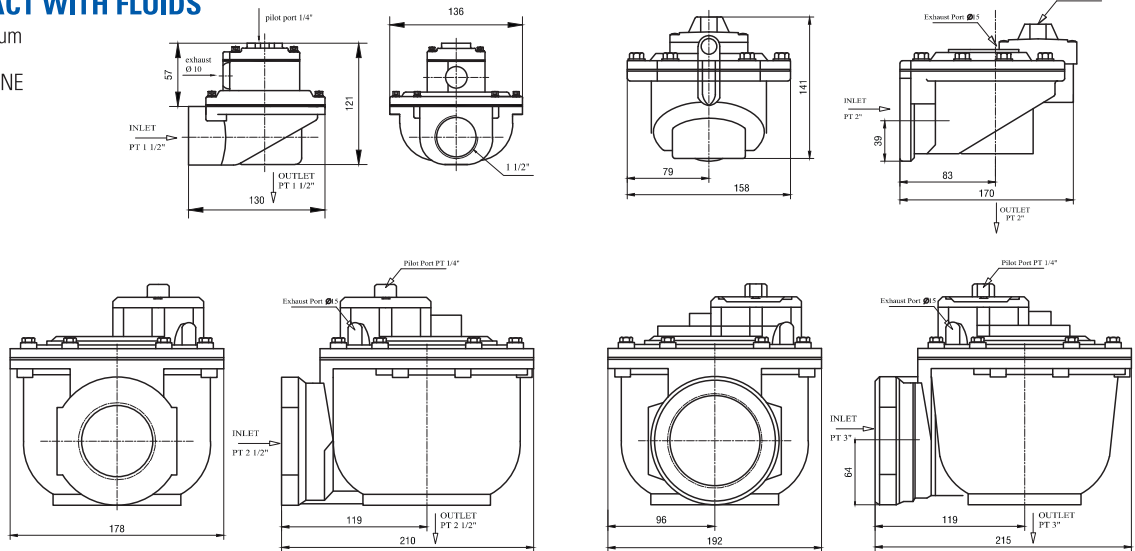
application, TORK Pulse Valves



ROHS

MATERIALS IN CONTACT WITH FLUIDS

- Body : Die Cast Aluminium
- Internal Parts : Stainless Steel
- Sealing : NBR and NEOPRENE
- Shading Ring : Copper
- Seats : Aluminium
- Core Tube : Stainless Steel
- Springs : Stainless Steel



Valve Type / Order no	Connection Size	Orifice size	Pressure		KV	Fluid Temperature		Seal	Weight
			min	max		min	max		
PL1020	G	mm	bar	bar	lt/min	°C			(kg)
PL1020.07	1 1/2"	40	0.5	8	774	-10	80	NEOPRENE	1.04
PL1020.08	2"	50	0.5	8.5	1065	-10	80	NBR	1.9
PL1020.09	2 1/2"	65	0.5	8.5	1378	-10	80	NBR	3.3
PL1020.10	3"	80	0.5	8.5	2040	-10	80	NBR	3.5

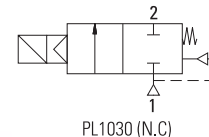
Useful Informations

1 bar: 14.5 PSI: 10 N/m²: 10 kg/cm²: 100000 Pa, 1 PSI: 69 mbar, 1 m³/h: 4.405 GPM: 16.7 L/d 1 Gallon / minute: 0.227 m³/h, 0°C: 89.6 F

GENERAL FEATURES

- **TORK series PL1030** compression fittings pulse valves are 2/2 way normally closed.
- **Suitable for air**
- **G 3/4", G 1", G 1 1/2" connection**
- **The pulse valves are especially designed for dust collector service application or similar systems**
- **Compact design, high reliability, flow rate, quality and performance; long life .**
- **Extremely fast opening and closing**
- Working Temperature: -10°C / +80°C
- **Minimum operating differential pressure is 0,5 bar**
- **On request; it is supplied with electronic timer**
- Some applications; dust filters, bunkers, dust extractors, electrostatic painting cabinets
- Coils are interchangeable
- Flow factor Kv of each valve is indicated, so that the flow Q can be calculated as a function of pressure
- Pulse valves must be used with filtered fluid types
- Pulse valve can be mounted in any position without affecting operation; vertical with coil upwards preferred.

Normally Closed



ELECTRICAL CHARACTERISTICS

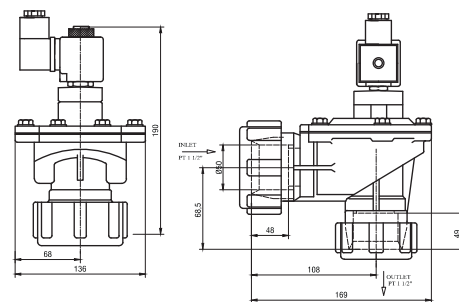
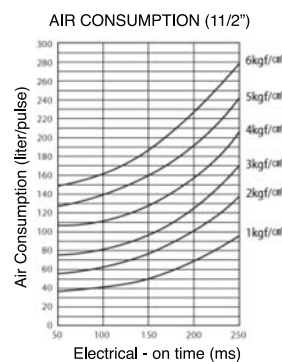
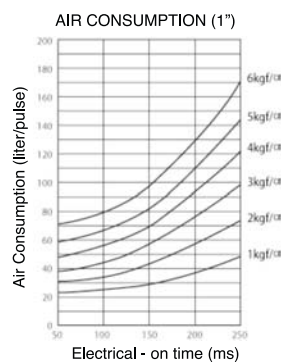
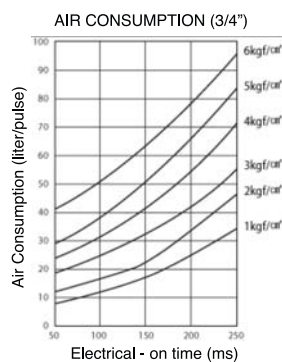
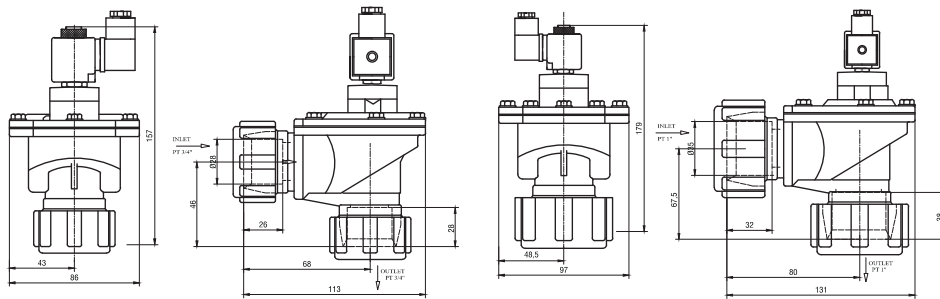
- Continuous Duty : ED %100
- Coil Insulation Class : H (180°C)
- Coil Impregnation : Polyester Fiber Glass
- Coil Encapsulation Material : Fiber Glass Reinforced
- Ambient Temperature : from -10°C; +60°C
- Protection Degree : IP 65 (EN 60529) with coil duly fitted with the plug connector
- Electric plug Connection : DIN 46340 3-poles connectors (DIN 43650)
- Connector Specification : ISO 4400 / EN 175301-803, Form A, Spade plug (Cable Ø 6-8 mm)
- Electrical Safety : IEC 335
- Standard Voltages : For AC 12V, 24V, 48V, 110V, 230V
For DC 12V, 24V, 48V, 110 V

- Other voltages on request;
- Voltage Tolerances : For AC -15%; +10%, For DC -5%; +10%
- Frequency : 50 Hz, other frequencies on request; (60 Hz)
- On request; connector with LED
- Specify coil voltage with order



MATERIALS IN CONTACT WITH FLUIDS

- Body : Die Cast Aluminium
- Internal Parts : Stainless Steel and brass
- Sealing : NBR
- Shading Ring : Copper
- Seats : Aluminium
- Core Tube : Stainless Steel
- Springs : Stainless Steel



Valve Type / Order no	Connection Size	Orifice size	Pressure		KV	Fluid Temperature		Seal	Weight
			min	max		min	max		
PL1030	G	mm	bar	bar	lt/min	°C			(kg)
PL 10 30 .04	3/4" - 3/4"	20	0.5	9.5	150	-10 80	NBR	0.95	
PL 1030 .05	1" - 1"	25	0.5	9.5	270	-10 80	NBR	1.29	
PL 1030 .07	1 1/2" - 1 1/2"	40	0.5	9.5	774	-10 80	NBR	2.03	

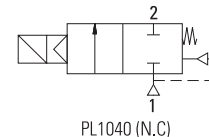
Useful Informations

1 bar:14,5 PSI:10 mH2O:10 N/cm²:1 kg/cm²: 100000 Pa, 1 PSI:69 mbar,1 m³/h:4,405 GPM:16,7 L/d 1 Gallon / minute:0,227 m³/h, 0°C:89,6 F

GENERAL FEATURES

- **TORK series PL1040 compression fittings pulse valves are 2/2 way normally closed.**
- **Suitable for air**
- **G 11/2" connection**
- **The pulse valves are especially designed for dust collector service application or similar systems**
- **High operating pressure more than PL1030.07 types, double sealings, compact design, high reliability, flow rate, quality and performance; long life.**
- Extremely fast opening and closing
- Working Temperature for fluid is Minimum -10°C and maximum +80°C
- **Minimum operating differential pressure is 0,5 bar**
- **On request; it is supplied with electronic timer**
- Some applications; dust filters, bunkers, dust extractors, electrostatic painting cabinets
- Coils are interchangeable
- Flow factor Kv of each valve is indicated, so that the flow Q can be calculated as a function of pressure
- Pulse valves must be used with filtered fluid types
- Pulse valve can be mounted in any position without affecting operation; vertical with coil upwards preferred

Normally Closed



ROHS

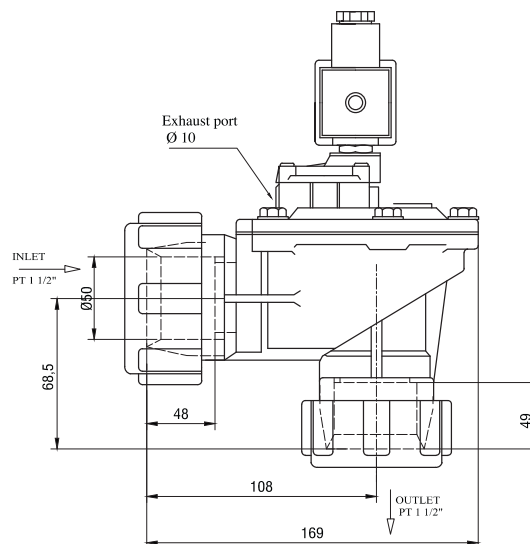
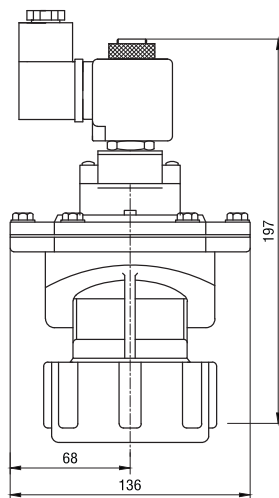
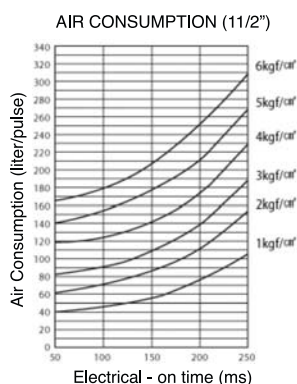
ELECTRICAL CHARACTERISTICS

- Continuous Duty : ED %100
- Coil Insulation Class : H (180°C)
- Coil Impregnation : Polyester Fiber Glass
- Coil Encapsulation Material : Fiber Glass Reinforced
- Ambient Temperature : from -10°C; +60°C
- Protection Degree : IP 65 (EN 60529) with coil duly fitted with the plug connector
- Electric plug Connection : DIN 46340 3-poles connectors (DIN 43650)
- Connector Specification : ISO 4400 / EN 175301-803, Form A, Spade plug (Cable Ø 6-8 mm)
- Electrical Safety : IEC 335
- Standard Voltages : For AC 12V, 24V, 48V, 110V, 230V
For DC 12V, 24V, 48V, 110 V

- Other voltages on request;
- Voltage Tolerances : For AC -15%; +10%, For DC -5%; +10%
- Frequency : 50 Hz, other frequencies on request; (60 Hz)
- On request; connector with LED
- Specify coil voltage with order

MATERIALS IN CONTACT WITH FLUIDS

- Body : Die Cast Aluminium
- Internal Parts : Stainless Steel and brass
- Sealing : NBR
- Shading Ring : Copper
- Seats : Aluminium
- Core Tube : Stainless Steel
- Springs : Stainless Steel



Valve Type / Order no	Connection Size	Orifice size	Pressure		KV	Fluid Temperature		Seal	Weight
			min	max		min	max		
PL1040	G	mm	bar	bar	lt/min	°C			(kg)
PL1040.07	11/2" - 11/2"	40	0.5	9.8	774	-10	80	NBR	2.11

Useful Informations

1 bar:14,5 PSI:10 mH₂O:10 N/cm²:1 kg/cm²: 100000 Pa, 1 PSI:69 mbar,1 m³/h:4,405 GPM:16,7 L/d 1 Gallon / minute:0,227 m³/h, 0°C:89,6 F

GENERAL FEATURES

- TORK series PL1050 remote control compression fittings pulse valves are 2/2 way normally closed.
- Suitable for air
- G 3/4" G 1", G 1 1/2" connection
- The pulse valves are especially designed for dust collector service application or similar systems
- Without coil compact design, high reliability, flow rate, quality and performance; long life.
- Extremely fast opening and closing
- Working Temperature: -10°C / +80°C
- Minimum operating differential pressure is 0,5 bar
- On request; it is supplied with electronic timer
- Ambient Temperature: from -10°C; +60°C
- Some applications; dust filters, bunkers, dust extractors, electrostatic painting cabinets
- Coils are interchangeable
- Flow factor Kv of each valve is indicated, so that the flow Q can be calculated as a function of pressure
- Pulse valves must be used with filtered fluid types
- Pulse valve can be mounted in any position without affecting operation; vertical with coil upwards preferred.

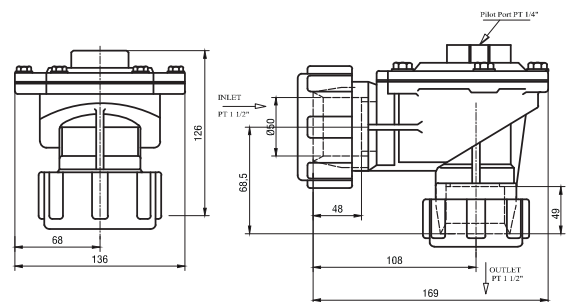
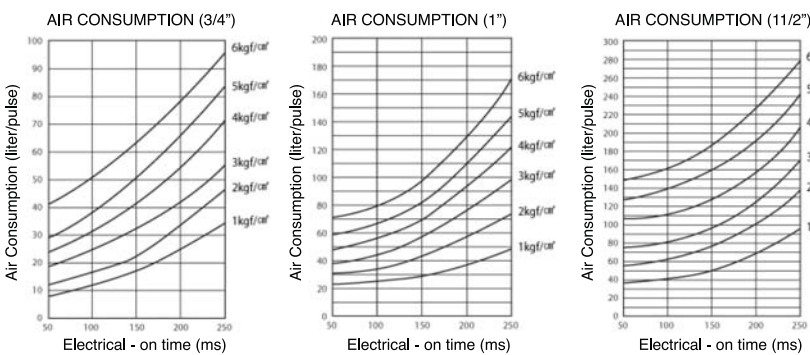
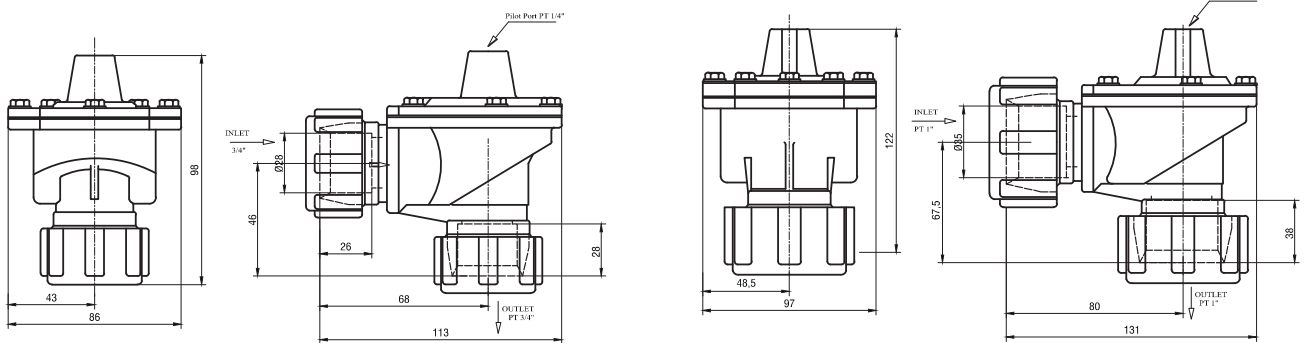


MATERIALS IN CONTACT WITH FLUIDS

- Body : Die Cast Aluminium
- Internal Parts : Stainless Steel and brass
- Sealing : NBR
- Shading Ring : Copper
- Seats : Aluminium
- Core Tube : Stainless Steel
- Springs : Stainless Steel



ROHS



Valve Type / Order no	Connection Size	Orifice size	Pressure		KV	Fluid Temperature		Seal	Weight
			min	max		min	max		
PL1050	G	mm	bar	bar	lt/min	°C			(kg)
PL1050.04	3/4" - 3/4"	20	0.5	7.5	150	-10	80	NBR	0.55
PL1050.05	1" - 1"	25	0.5	7.5	270	-10	80	NBR	0.86
PL1050.07	1 1/2" - 1 1/2"	40	0.5	7.5	774	-10	80	NBR	1.67

Useful Informations

1 bar: 14,5 PSI: 10 mH₂O: 10 N/cm²: 1 kg/cm²: 100000 Pa, 1 PSI: 69 mbar, 1 m³/h: 4,405 GPM: 16,7 L/d 1 Gallon / minute: 0,227 m³/h, 0°C: 89,6 F

GENERAL FEATURES

- TORK series PL1060 remote control compression fittings pulse valves are 2/2 way normally closed.
- Suitable for air fluid types.
- G 1 1/2" connection
- The pulse valves are especially designed for dust collector service application or similar systems
- High operating pressure more than PL1050.07 types, double sealings, without coil compact design compact design, high reliability, flow rate, quality and performance; long life.
- Extremely fast opening and closing
- Working Temperature:-10°C / +80°C
- Minimum operating differential pressure is 0,5 bar
- On request; it is supplied with electronic timer
- Ambient Temperature:from -10°C; +60°C
- Some applications; dust filters, bunkers, dust extractors, electrostatic painting cabinets
- Coils are interchangeable
- Flow factor Kv of each valve is indicated, so that the flow Q can be calculated as a function of pressure
- Pulse valves must be used with filtered fluid types
- Pulse valve can be mounted in any position without affecting operation; vertical with coil upwards preferred.

Normally Closed

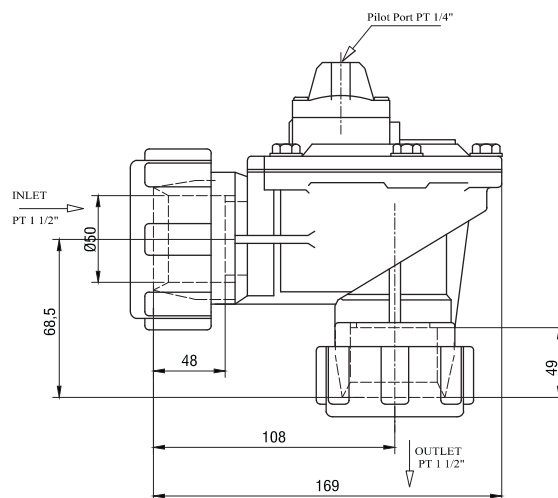
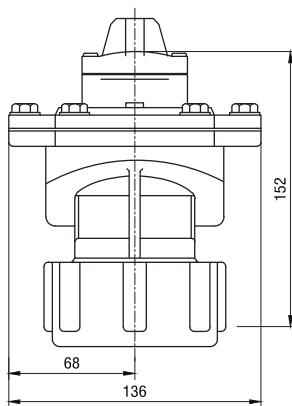
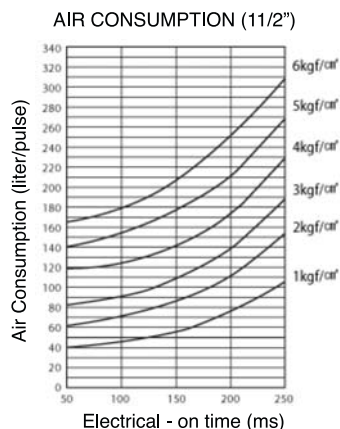


MATERIALS IN CONTACT WITH FLUIDS

- Body : Die Cast Aluminium
- Internal Parts :Stainless Steel and brass
- Sealing : NBR
- Shading Ring : Copper
- Seats : Aluminium
- Core Tube :Stainless Steel
- Springs :Stainless Steel



ROHS



Valve Type / Order no	Connection Size	Orifice size	Pressure		KV	Fluid Temperature		Seal	Weight
			min	max		min	max		
PL1060	G	mm	bar	bar	lt/min	°C			(kg)
PL 1060 . 07	1 1/2" - 1 1/2"	40	0.5	8.5	774	-10 80	NBR	1.77	

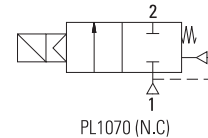
Useful Informations

1 bar:14,5 PSI:10 mH₂O:10 N/cm²:1 kg/cm²:100000 Pa, 1 PSI:69 mbar,1 m³/h:4,405 GPM:16,7 L/d 1 Gallon / minute:0,227 m³/h, 0°C:89,6 F

GENERAL FEATURES

- **TORK series PL1070 flanged and compression fittings pulse valves are 2/2 way normally closed.**
- **Suitable for air**
- **G 1 1/2" and G 2" connection**
- **The pulse valves are especially designed for dust collector service application or similar systems**
- **Compact design, high reliability, flow rate, quality and performance; long life.**
- **Extremely fast opening and closing**
- Working Temperature: -10°C / +80°C
- **Minimum operating differential pressure is 0,5 bar**
- **On request; it is supplied with electronic timer**
- Some applications; dust filters, bunkers, dust extractors, electrostatic painting cabinets
- Coils are interchangeable
- Flow factor Kv of each valve is indicated, so that the flow Q can be calculated as a function of pressure
- Pulse valves must be used with filtered fluid types
- Pulse valve can be mounted in any position without affecting operation; vertical with coil upwards preferred.

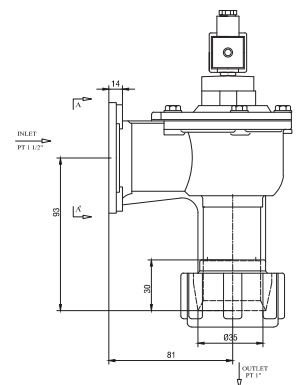
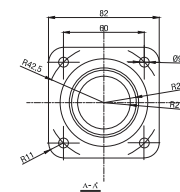
Normally Closed



ELECTRICAL CHARACTERISTICS

- Continuous Duty : ED %100
- Coil Insulation Class : H (180°C)
- Coil Impregnation : Polyester Fiber Glass
- Coil Encapsulation Material : Fiber Glass Reinforced
- Ambient Temperature : from -10°C; +60°C
- Protection Degree : IP 65 (EN 60529) with coil duly fitted with the plug connector
- Electric plug Connection : DIN 46340 3-poles connectors (DIN 43650)
- Connector Specification : ISO 4400 / EN 175301-803, Form A, Spade plug (Cable Ø 6-8 mm)
- Electrical Safety : IEC 335
- Standard Voltages : For AC 12V, 24V, 48V, 110V, 230V
For DC 12V, 24V, 48V, 110 V

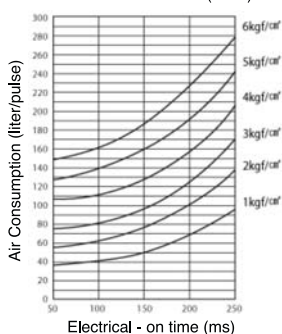
- Other voltages on request;
- Voltage Tolerances : For AC -15%; +10%, For DC -5%; +10%
- Frequency : 50 Hz, other frequencies on request; (60 Hz)
- On request; connector with LED
- Specify coil voltage with order



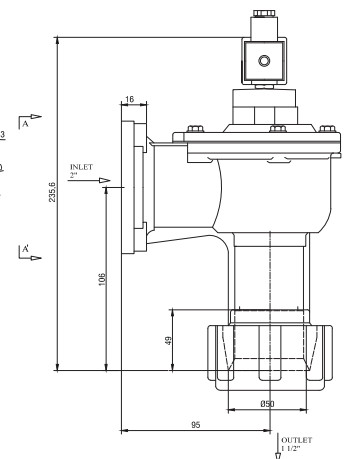
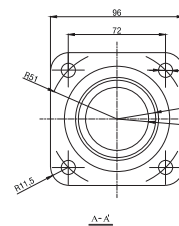
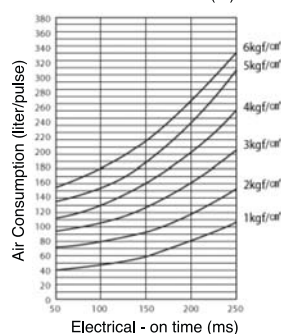
MATERIALS IN CONTACT WITH FLUIDS

- Body : Die Cast Aluminium
- Internal Parts : Stainless Steel and brass
- Sealing : NBR
- Shading Ring : Copper
- Seats : Aluminium
- Core Tube : Stainless Steel
- Springs : Stainless Steel

AIR CONSUMPTION (1 1/2")



AIR CONSUMPTION (2")



Valve Type / Order no	Connection Size	Orifice size	Pressure		KV	Fluid Temperature		Seal	Weight
			min	max		min	max		
PL1070	G	mm	bar	bar	lt/min	min	max		(kg)
PL 1070 . 05	1 1/2" - 1"	25	0.5	9.5	560	-10	80	NBR	1.26
PL 1070 . 07	2" - 1 1/2"	40	0.5	9.5	984	-10	80	NBR	2.06

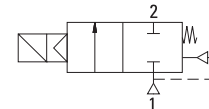
Useful Informations

1 bar:14,5 PSI:10 mH₂O:10 N/cm²:1 kg/cm²: 100000 Pa, 1 PSI:69 mbar,1 m³/h:4,405 GPM:16,7 L/d 1 Gallon / minute:0,227 m³/h, 0°C:89,6 F

GENERAL FEATURES

- **TORK series PL1080 flanged and compression fittings pulse valves are 2/2 way normally closed**
- **Suitable for air.**
- **G 2" connection**
- **The pulse valves are especially designed for dust collector service application or similar systems**
- **High operating pressure more than PL1070.07 types, double sealings, compact design, high reliability, flow rate, quality and performance; long life.**
- **Extremely fast opening and closing**
- Working Temperature: -10°C / +80°C
- **Minimum operating differential pressure is 0,5 bar**
- **On request; it is supplied with electronic timer**
- Some applications; dust filters, bunkers, dust extractors, electrostatic painting cabinets
- Coils are interchangeable
- Flow factor Kv of each valve is indicated, so that the flow Q can be calculated as a function of pressure
- Pulse valves must be used with filtered fluid types
- Pulse valve can be mounted in any position without affecting operation; vertical with coil upwards preferred.

Normally Closed



PL1080 (N.C)



ROHS

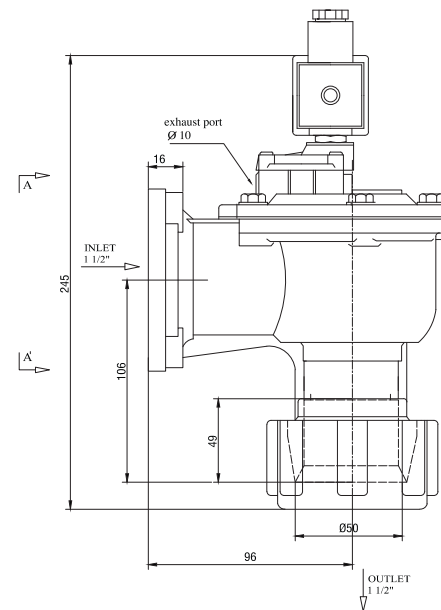
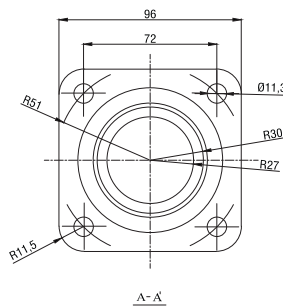
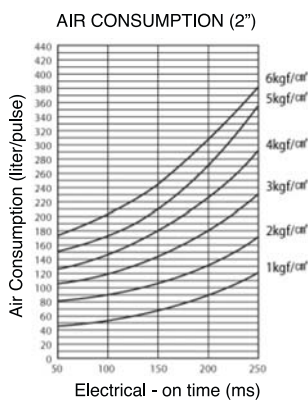
ELECTRICAL CHARACTERISTICS

Continuous Duty	: ED %100
Coil Insulation Class	: H (180°C)
Coil Impregnation	: Polyester Fiber Glass
Coil Encapsulation Material	: Fiber Glass Reinforced
Ambient Temperature	: from -10°C; +60°C
Protection Degree	: IP 65 (EN 60529) with coil duly fitted with the plug connector
Electric plug Connection	: DIN 46340 3-poles connectors (DIN 43650)
Connector Specification	: ISO 4400 / EN 175301-803, Form A, Spade plug (Cable Ø 6-8 mm)
Electrical Safety	: IEC 335
Standard Voltages	: For AC 12V, 24V, 48V, 110V, 230V For DC 12V, 24V, 48V, 110 V

Other voltages On request;
Voltage Tolerances : For AC -15%; +10%, For DC -5%; +10%
Frequency : 50 Hz, other frequencies on request; (60 Hz)
On request; connector with LED
Specify coil voltage with order

MATERIALS IN CONTACT WITH FLUIDS

Body	: Die Cast Aluminium
Internal Parts	: Stainless Steel and brass
Sealing	: NBR
Shading Ring	: Copper
Seats	: Aluminium
Core Tube	: Stainless Steel
Springs	: Stainless Steel



Valve Type / Order no	Connection Size	Orifice size	Pressure		KV	Fluid Temperature		Seal	Weight
			min	max		min	max		
PL1080	G	mm	bar	bar	lt/min	°C			(kg)
PL1080.07	2" - 11/2"	40	0.5	9.8	984	-10	80	NBR	2.12

Useful Informations

1 bar:14,5 PSI:10 mH₂O:10 N/cm²:1 kg/cm²:100000 Pa, 1 PSI:69 mbar,1 m³/h:4,405 GPM:16,7 L/d 1 Gallon / minute:0,227 m³/h, 0°C:89,6 F

GENERAL FEATURES

- TORK series PL1090 remote control flanged and compression fittings pulse valves are 2/2 way normally closed .
- Suitable for air
- G 1 1/2" and G 2" connection
- The pulse valves are especially designed for dust collector service application or similar systems
- Without coil compact design, high reliability, flow rate, quality and performance; long life.
- Extremely fast opening and closing
- Working Temperature:-10°C / +80°C
- Minimum operating differential pressure is 0,5 bar
- On request; it is supplied with electronic timer
- Ambient Temperature:from -10°C; +60°C
- Some applications; dust filters, bunkers, dust extractors, electrostatic painting cabinets
- Coils are interchangeable
- Flow factor Kv of each valve is indicated, so that the flow Q can be calculated as a function of pressure
- Pulse valves must be used with filtered fluid types
- Pulse valve can be mounted in any position without affecting operation; vertical with coil upwards preferred.

Normally Closed

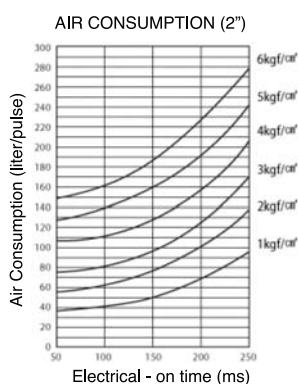
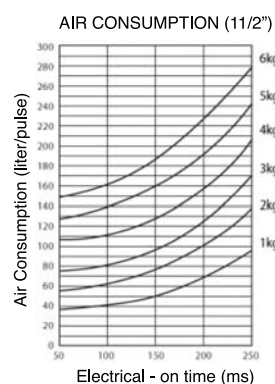
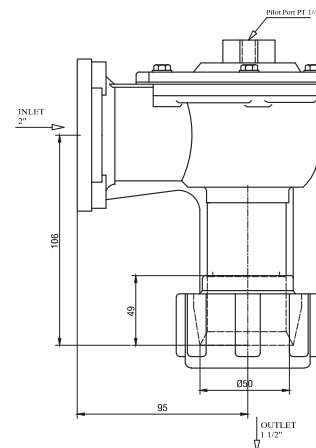
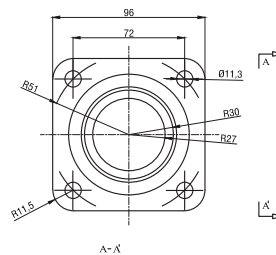
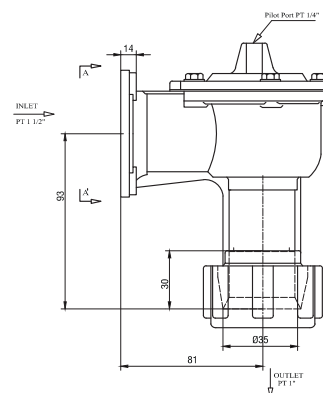
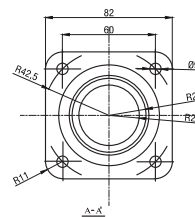


MATERIALS IN CONTACT WITH FLUIDS

- Body : Die Cast Aluminium
- Internal Parts : Stainless Steel and brass
- Sealing : NBR
- Shading Ring : Copper
- Seats : Aluminium
- Core Tube : Stainless Steel
- Springs : Stainless Steel



ROHS



Valve Type / Order no	Connection Size	Orifice size	Pressure		KV	Fluid Temperature		Seal	Weight
			min	max		min	max		
PL1090	G	mm	bar	bar	lt/min	°C			(kg)
PL 1090 .05	1 1/2"-1"	25	0.5	7.5	560	-10 80	NBR	0.92	
PL 1090 .07	2" - 1 1/2"	40	0.5	7.5	984	-10 80	NBR	1.75	

Useful Informations

1 bar:14,5 PSI:10 mH₂O:10 N/cm²:1 kg/cm²: 100000 Pa, 1 PSI:69 mbar,1 m³/h:4,405 GPM:16,7 L/d 1 Gallon / minute:0,227 m³/h, 0°C:89,6 F

Normally Closed

GENERAL FEATURES

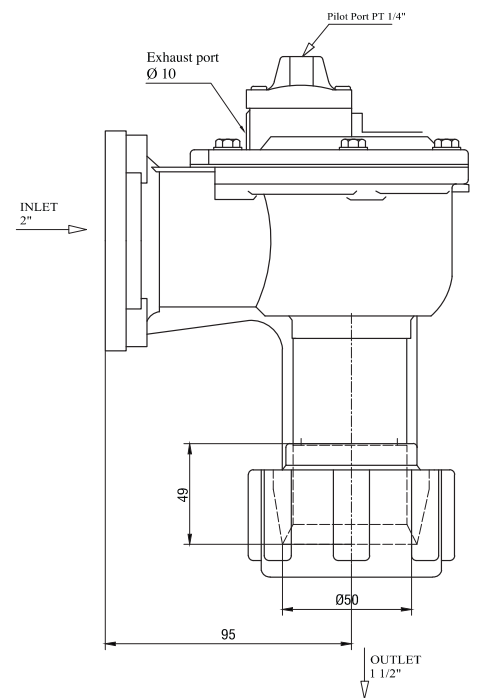
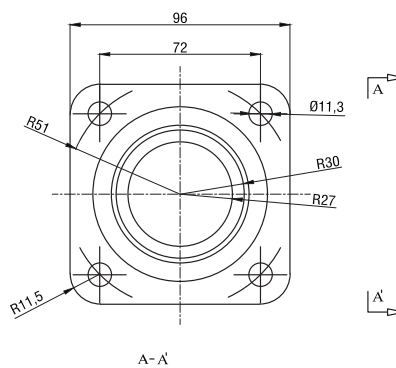
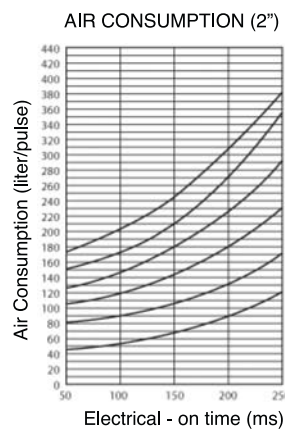
- TORK series PL1095 remote control flanged and compression fittings pulse valves are 2/2 way normally closed.
- Suitable for air
- G 2" connection
- The pulse valves are especially designed for dust collector service application or similar systems
- High operating pressure more than PL1090.07 types, double sealings, without coil compact design compact design, high reliability, flow rate, quality and performance; long life .
- Extremely fast opening and closing
- Working Temperature:-10°C / +80°C
- Minimum operating differential pressure 0,5 bar
- On request; it is supplied with electronic timer
- Ambient Temperature:from -10°C; +60°C
- Some applications; dust filters, bunkers, dust extractors, electrostatic painting cabinets
- Coils are interchangeable
- Flow factor Kv of each valve is indicated, so that the flow Q can be calculated as a function of pressure
- Pulse valves must be used with filtered fluid types
- Pulse valve can be mounted in any position without affecting operation; vertical with coil upwards preferred.



ROHS

MATERIALS IN CONTACT WITH FLUIDS

- Body : Die Cast Aluminium
- Internal Parts : Stainless Steel and brass
- Sealing : NBR
- Shading Ring : Copper
- Seats : Aluminium
- Core Tube : Stainless Steel
- Springs : Stainless Steel



Valve Type / Order no	Connection Size	Orifice size	Pressure		KV	Fluid Temperature		Seal	Weight
			min	max		min	max		
PL1095	G	mm	bar	bar	lt/min	°C			(kg)
PL1095.07	2" - 1 1/2"	40	0.5	8.5	984	-10	80	NBR	1.80

Useful Informations

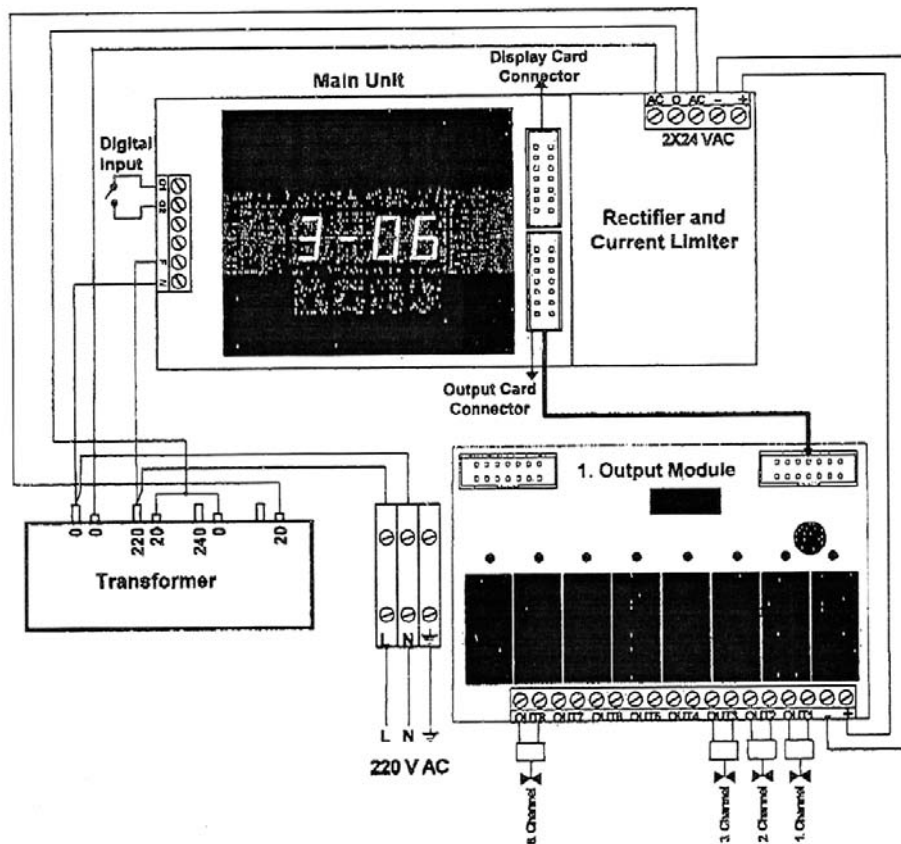
1 bar:14,5 PSI:10 mH₂O:10 N/cm²:1 kg/cm²: 100000 Pa, 1 PSI:69 mbar,1 m³/h:4,405 GPM:16,7 L/d 1 Gallon / minute:0,227 m³/h, 0°C:89,6 F

GENERAL FEATURES

- Filter cleaning Timers are micro-processor based control instruments used in jet pulse filters.
- The filters are used commonly in the industries such as glass, cement, painting, fertilizers and fodder industries
- Ambient dust from spreading.
- Used for cleaning the bag chambers of filters

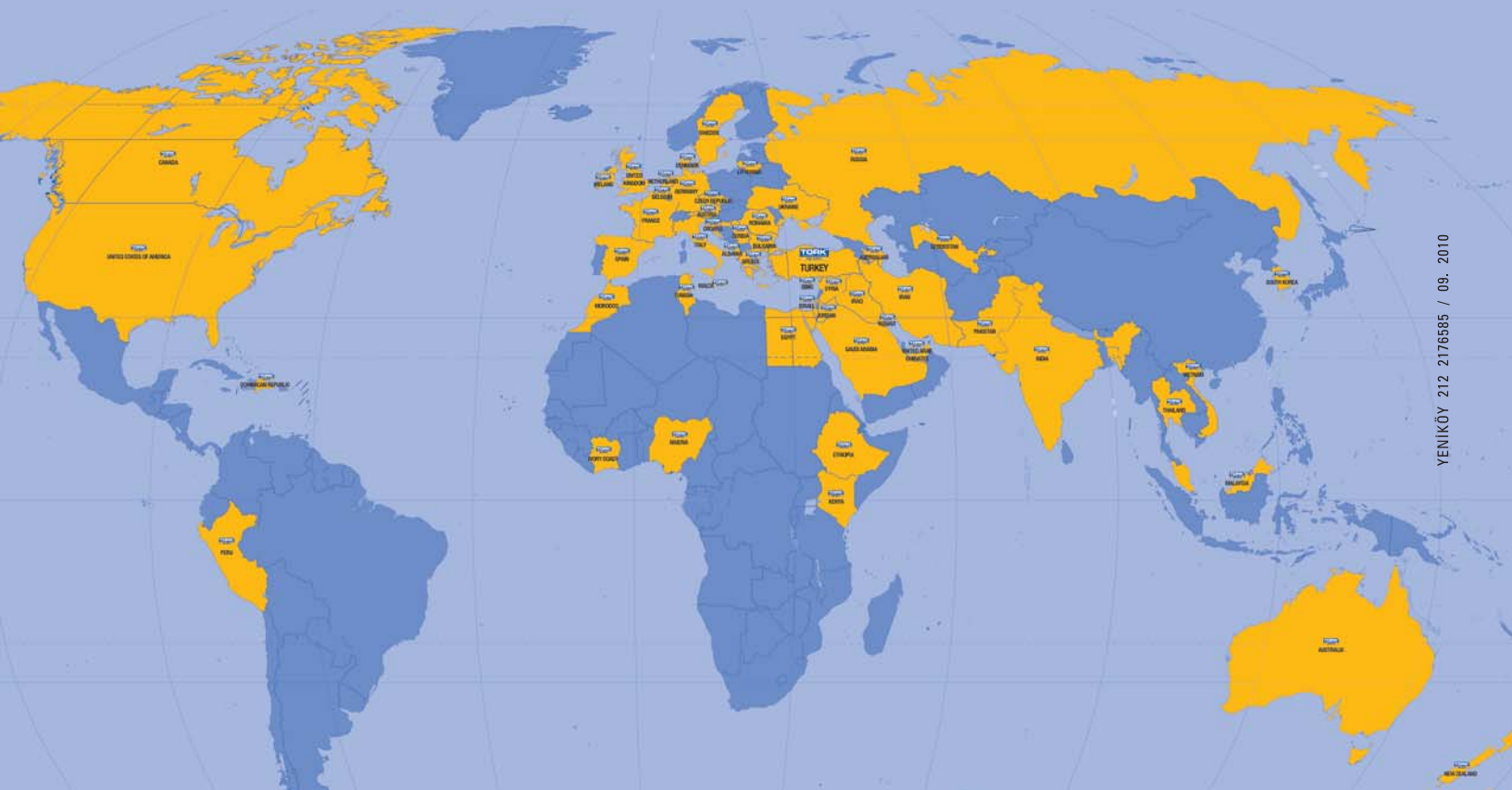
DESCRIPTION

- C95 Filter Timer is placed into a polyester case. The dimensions of the case are 250 x 300 x 170 mm. The layout of the timer and the connection diagram is given in Figure 1 The devices having 1 to 8 outputs has only one output module.
- The timer unit can be mounted on a wall or in a panel. The mounting pieces must be fixed to the corners of the case before installation. The connection cables passing inside the unit through the cable sheaths on the bottom of the unit are screwed on the terminals.



Valve Type / Order no	Output
C95	
C95.08	8 relay
C95.16	16 relay
C95.24	24 relay
C95.32	32 relay





YENİKÖY 212 2176585 / 09. 2010

AFRICA

EGYPT
ETHIOPIA
IVORY COAST
KENYA
MOROCCO
NIGERIA
TUNISIA

AMERICA

DOMINICAN REPUBLIC
CANADA
PERU
UNITED STATES OF AMERICA

ASIA

AZERBAIJAN
INDIA
IRAQ
IRAN
ISRAEL
KUWAIT
MALAYSIA
PAKISTAN

SAUDI ARABIA
SOUTH KOREA
SYRIA
THAILAND
TURKISH REP. OF N. CYPRUS
UNITED ARAB EMIRATES
UZBEKISTAN
VIETNAM

EUROPE

ALBANIA
AUSTRIA
BELGIUM
BULGARIA
CROATIA
CZECH REPUBLIC
DENMARK
FRANCE
GERMANY
GREECE
IRELAND
ITALY

LITHUANIA
MALTA
NETHERLANDS
NORWAY
ROMANIA
RUSSIA
SERBIA
SPAIN
SWEDEN
UKRAINE
UNITED KINGDOM

AUSTRALIA

AUSTRALIA
NEW ZEALAND

Solenoid Valves



Pneumatic Actuators



Angle - Seated Piston Valves



Limit Switch Boxes



Pneumatic Actuated Valves



Electric Actuated Valves



Flow Measuring Instruments



Pressure Measuring Instruments



Level Measuring Instruments



Temperature Measuring Instruments

